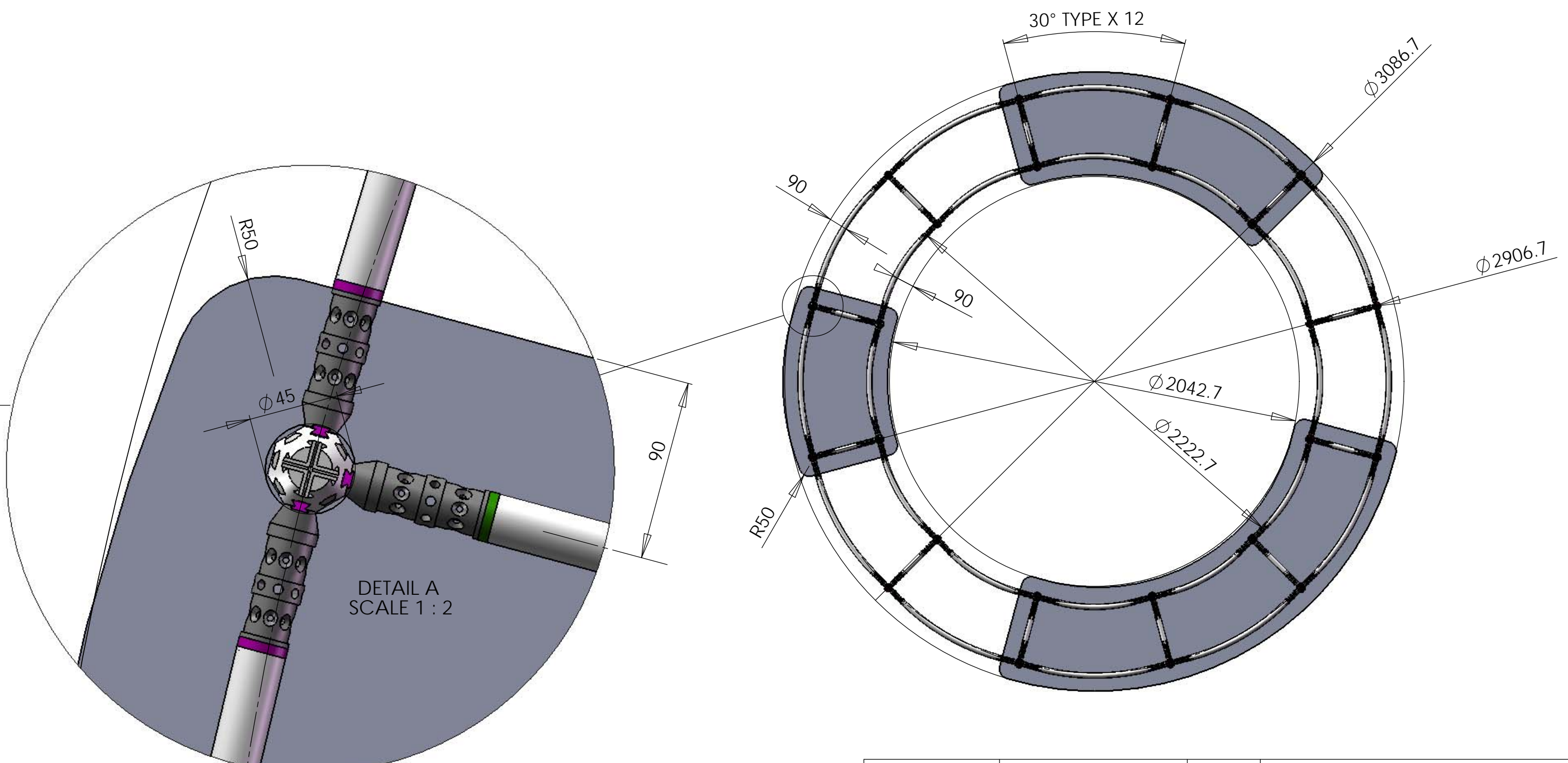


THIS DRAWING AND INFORMATION INCLUDED ARE THE CONFIDENTIAL PROPERTY OF **EGO VISION LTD** AND ARE LOANED TO YOU FOR A LIMITED PURPOSE. THE DRAWING AND INFORMATION INCLUDED EITHER CAN BE COPIED EXHIBITED OR FURNISHED TO OTHERS IN ANY FORM WIHTOUT THE WRITTEN CONSENT OF **EGO VISION LTD**.



UNLESS OTHERWISE SPECIFIED: DIMENSIONS ARE IN MILLIMETERS SURFACE FINISH: TOLERANCES: LINEAR: ANGULAR:			FINISH:		DEBUR AND BREAK SHARP EDGES		TITLE: <b>Counter setup X12</b>	
NAME	SIGNATURE	DATE						
DRAWN								
CHK'D								
APPV'D								
MFG								
Q.A					MATERIAL:		DWG NO.	A3
					WEIGHT:		SCALE:1:50	SHEET 1 OF 1

